

INFORMATION TECHNIQUE

CIMEX ERADICATOR

PTEU0234

vaporetto®

La documentation technique est confidentielle; est destinée uniquement aux techniciens qualifiés qui connaissent les normes de réparation et de sécurité. La documentation peut être modifiée et mise à jour, toujours se référer à la version la plus récente.

INDEX

VUE ECLATEE PRODUIT

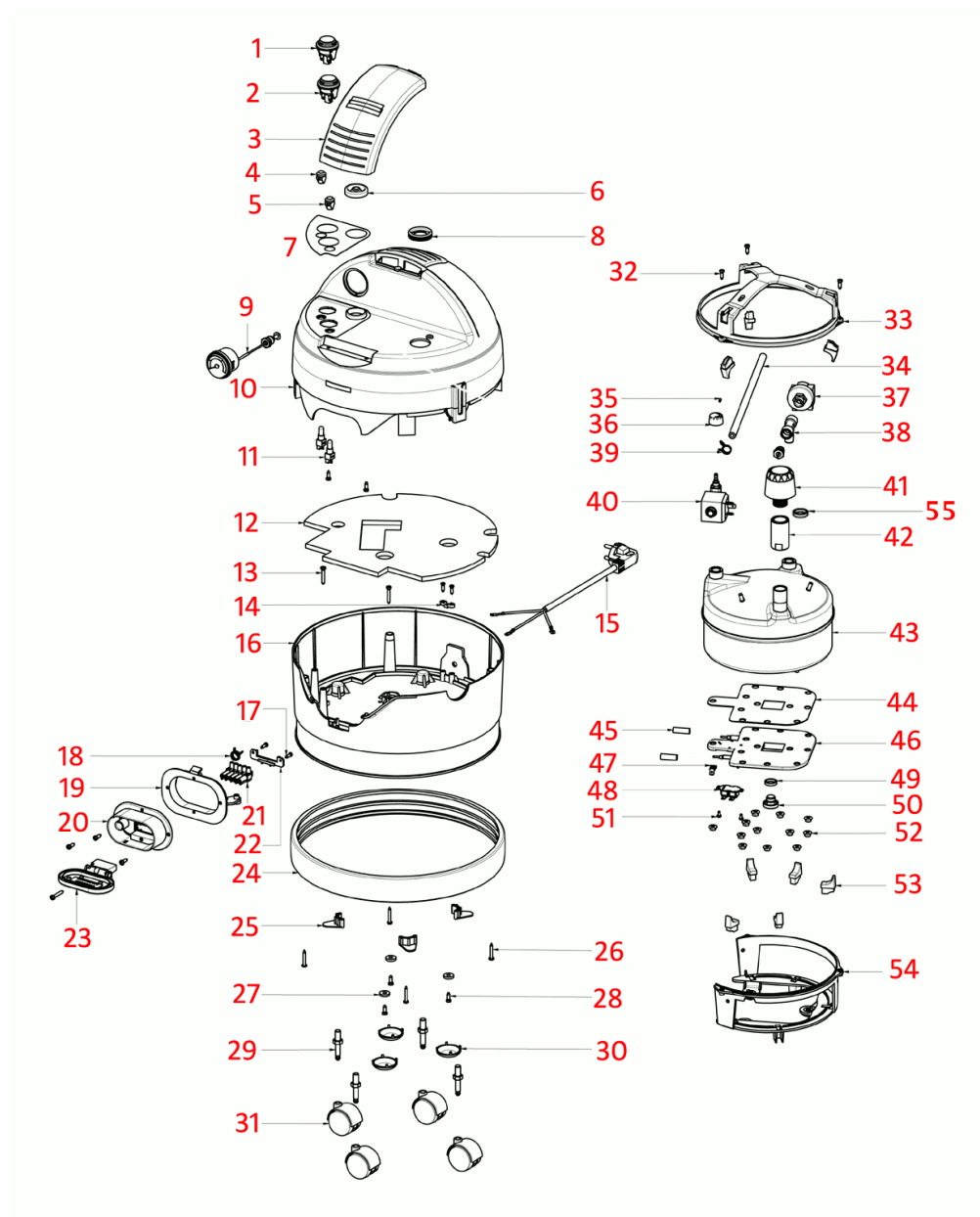
ACCESSOIRES

SCHEMAS ELECTRIQUES

CONDITIONNEMENT

PHOTO

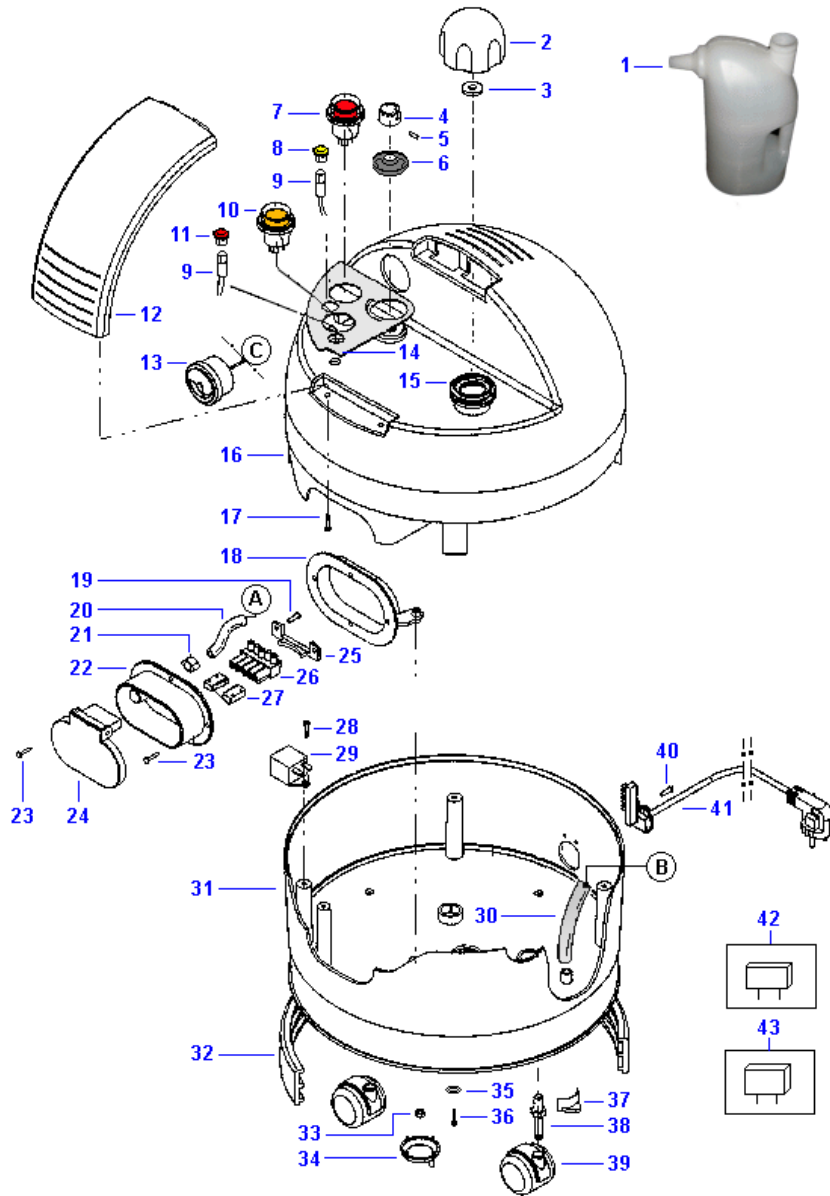
PTEU0234a_02



RIF.TO	CODICE	DESCRIZIONE
001	M0003816	INTERR.BIP.LUMINOSO TONDO ROSSO C/SOFFIE
002	M0003817	INTERR.BIP.LUMINOSO TONDO ARANCIONE C/SO
003	SLS01820	HANDLE GREY TAMP. CIMEX ERADICATOR 2016
004	M0002450	GEMMA GIALLA X SPIA NSC4 FIG.1DIAM. 10
005	M0002449	GEMMA ROSSA X SPIA NSC4 FIG.1 DIAM. 10
006	M0S05281	GUARN.A SOFFIETTO X ELETT
007	SLS01806	CONTROL PANNEL LABEL FOR VT ECO PRO 3.0
008	M0S00091	GUARNIZIONE DOPPIO ANELLO NERA
009	M0001121	MANOMETRE 1-6 BAR
010	SLS01819	UPPER BODY WHITE W/POLTI BRAND CIMEX ERA
011	M0002448	TEMPOIN NSCA 230V
012	M0003536	INSULATION COVER X BOILER VT 3000
013	M0006355	SCREW C15 4X25 TC AUTOFIL. HI-LO
014	M0S00034	SERRE-CABLE
015	M0006890	POWER CABLE H05VV-F 3X1 L=4M SHUKO PLUG
016	M0S11931	LOWER BODY PC/ABS WHITE CIMEX ERADI. SPA
017	M0003877	VIS 3,5X12 TC PZ ZN.
018	M0006510	CLAMP SPRING ALFA119 D12.3
019	M0S01093	SUPPORT DE RACCORD PRISE MONOBLOC
020	M0S01861	INNESTO MONOBLOCCO GRIGIO PA66/25%FV
021	M0001216	CONNECTEUR FEMELLE 5 POSITIONS
022	M0S01125	SUPPORT FIXATION CONNEXION
023	M0S01052	COPERCHIO INNESTO FEM. GRIGIO PA66/25FV
024	M0S03404	FASCIA PARASPIGOLI X E.P.3000IN GOMMA D
025	M0S01968	ANGOLARE FISSACAVO GRIGIO PC/ABS ASS
026	M0000640	VITE 3,5X25 TCTC AUTOF. ZN
027	M0001156	BLACK WASHER Ø15X5,2 H=3
028	M0006158	SCREW 4X12 TCTC TIELLE
029	M0000373	PERNO X RUOTA DIAM.40MM E 45MM
030	M0S02235	TAPPINO COPRIDADO GRIGIO S13125 PC/
031	M0005937	WHEEL Ø 40 MM
032	M0006158	SCREW 4X12 TCTC TIELLE
033	M0S04659	CAGE SUPERIEUR CUVE
034	M0003098	STEAM TUBE 10X5X280 DIELECTRIC/INSULATED
035	M0000230	VIS CHC 3*6
036	SLS01850	STEAM REGULATION KNOB GREY X VL
037	M0004926	PRESS.SWITCH TY98 1/8 GAS TAR.3,75

RIF.TO	CODICE	DESCRIZIONE
038	M0004850	FITTING T 1/4 F 1/4 M 1/4 F ART.4040
039	M0006509	CLAMP SPRING ALFA107 D11
040	M0003177	ELETTROVALV.6671 230/50 C/F.PIATTI MARRO
041	M0006430	SECURITY CAP GREY 5+0,8 1/2G HEIGER
042	M0S11833	TRONCHETTO Ø26X1/2G H=45MM
043	M0S04661	BOILER 2,2L S.STEEL X SINGLE.HEATING ELE
044	M0004223	GRAPHITE SHEET X HEATING ELEMENT W/HOLE
045	M0001633	TUBE SILICONE 5X8 L=24
046	M0S06988	BLOCC.RESIS.ESTERNA 1500W 230V
047	M0001652	COSSE DE MASSE DOUBLE 45 DEGRÉS M/M 6
048	M0003048	THERMOSTAT 200°C + THERMOFUSIBLE 298°C
049	M0001716	RONDELLE TEFLON X TAP.CALD.17,5X
050	SL001331	BOUCHON 1/4
051	M0000764	VIS M3X6 TCTC AUTOFORMANTE UNI 8
052	M0000660	ECROU M5 C/FINTA RONDELLE ZINC.
053	M0S03387	APPUI SILICONE
054	M0S04660	CAGE INFERIEURE CUVE
055	M0006962	GASKET FOR SAFETY CAP 1/2 MALE PRC

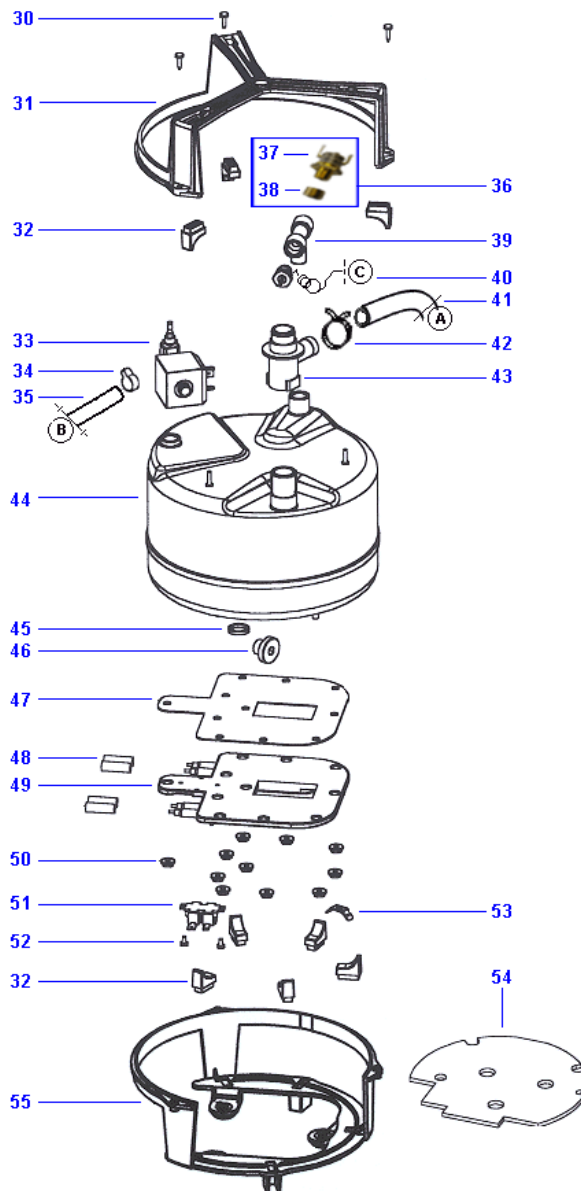
PTEU234a



RIF.TO	CODICE	DESCRIZIONE
001	M0006379	JUG FOR LECOASPIRA
002	SL001669	SAFETY CAP MIDI GREY W/COLLAR - NEUTRAL
003	M0001610	GASKET TEFLON 18,9X7X3
004	SLS01850	STEAM REGULATION KNOB GREY X VL
005	M0000230	VIS CHC 3*6
006	M0S05281	GUARN.A SOFFIETTO X ELETT
007	M0003816	INTERR.BIP.LUMINOSO TONDO ROSSO C/SOFFIE
008	M0002450	GEMMA GIALLA X SPIA NSC4 FIG.1DIAM. 10
009	M0002448	TEMOIN NSCA 230V
010	M0003817	INTERR.BIP.LUMINOSO TONDO ARANCIONE C/SO
011	M0002449	GEMMA ROSSA X SPIA NSC4 FIG.1 DIAM. 10
012	SLS01820	HANDLE GREY TAMP. CIMEX ERADICATOR 2016
013	M0001121	MANOMETRE 1-6 BAR
014	SLS01806	CONTROL PANNEL LABEL FOR VT ECO PRO 3.0
015	M0S05260	GUARN.VALV.SIC.1/2G XFIF2
016	SLS01819	UPPER BODY WHITE W/POLTI BRAND CIMEX ERA
017	M0006158	SCREW 4X12 TCTC TIELLE
018	M0S01093	SUPPORT DE RACCORD PRISE MONOBLOC
019	M0003877	VIS 3,5X12 TC PZ ZN.
020	M0003098	STEAM TUBE 10X5X280 DIELECTRIC/INSULATED
021	M0006510	CLAMP SPRING ALFA119 D12.3
022	M0S01861	INNESTO MONOBLOCCO GRIGIO PA66/25%FV
023	M0006355	SCREW C15 4X25 TC AUTOFIL. HI-LO
024	SLDB2620	ASS.COPERCHIO MONOBLOCCO GRIGIO VT
025	M0S01125	SUPPORT FIXATION CONNEXION
026	M0001216	CONNECTEUR FEMELLE 5 POSITIONS
027	C2KK0501	CAVETTO - L=080 S=0,50 SIL C2KK R=00
028	M0006230	SCREW3,5X13 DIN7981 CROCE PH ZN
029	M0006660	BUZZER KPMUGAC230
030	M0004101	TUYAU 8X11X240
031	M0S10006	LOWER BODY PC/ABS WHITE CIMEX ERADICATOR
032	M0S03404	FASCIA PARASPIGOLI X E.P.3000IN GOMMA D
033	M0000660	ECROU M5 C/FINTA RONDELLE ZINC.
034	M0S02235	TAPPINO COPRIDADO GRIGIO S13125 PC/
035	M0001156	BLACK WASHER Ø15X5,2 H=3
036	M0006221	SCREW 3,5X25 TC ZINC. NAZ.7981
037	M0S01968	ANGOLARE FISSACAVO GRIGIO PC/ABS ASS

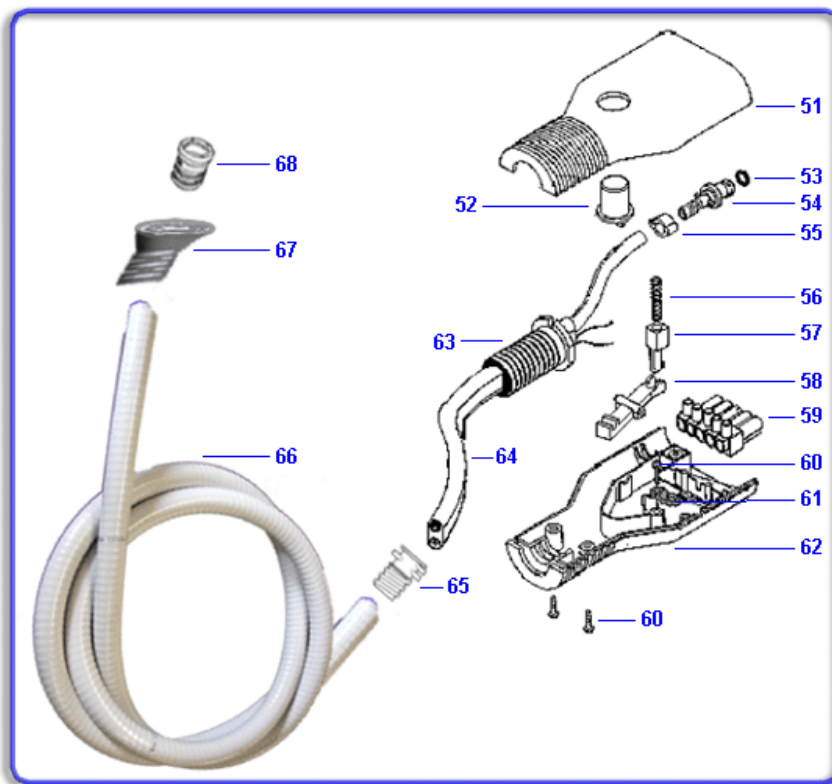
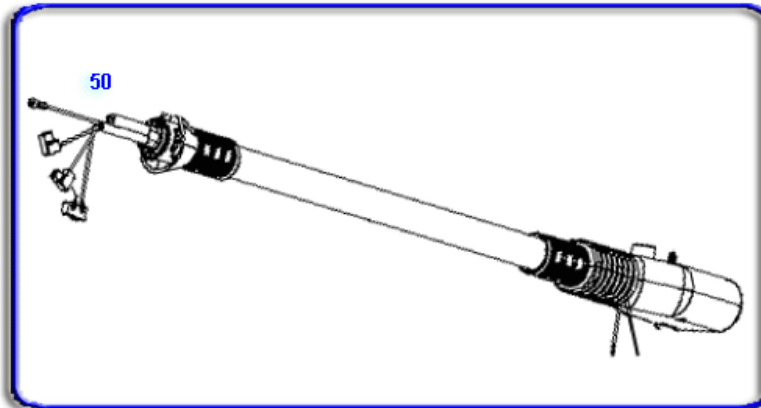
RIF.TO	CODICE	DESCRIZIONE
038	M0000373	PERNO X RUOTA DIAM.40MM E 45MM
039	M0005937	WHEEL Ø 40 MM
040	M0002943	VITE 3,5X13 TCTC INOX
041	SL000249	CAVO ALIMENT. 3X1 MT.4 IN PVC H05VVF SPI
042	C4W01094	L=XXX S=0,50 SIL C4W0
043	SL001072	CONDENSATORE 0,33F+1MOHM C/FASTON F+M E

PTEU234b



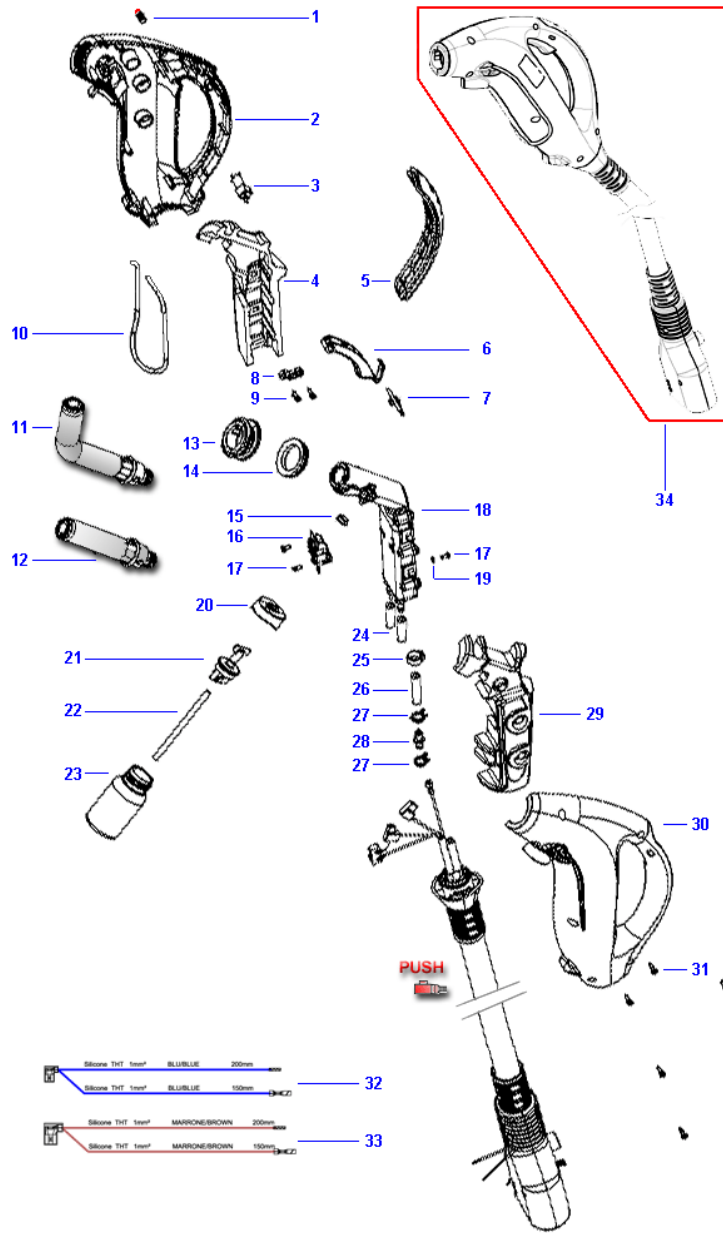
RIF.TO	CODICE	DESCRIZIONE
030	M0006158	SCREW 4X12 TCTC TIELLE
031	M0S04659	CAGE SUPERIEUR CUVE
032	M0S03387	APPUI SILICONE
033	M0003177	ELETTROVALV.6671 230/50 C/F.PIATTI MARRO
034	M0006509	CLAMP SPRING ALFA107 D11
035	M0003098	STEAM TUBE 10X5X280 DIELECTRIC/INSULATED
036	SLDB2698	PRESSOSTATO TY60/P 4,3 +/- 0,2 BAR
037	M0005573	PRESS.SWITCH TY60/P 4,3 +/- 0,2 BAR 1/8
038	M0004926	PRESS.SWITCH TY98 1/8 GAS TAR.3,75
039	M0004850	FITTING T 1/4 F 1/4 M 1/4 F ART.4040
040	M0001121	MANOMETRE 1-6 BAR
041	M0004101	TUYAU 8X11X240
042	M0006508	CLAMP SPRING ALFA133 D13.6
043	M0001889	VALVOLA SICUREZZA C/SCAR. LAT.X APP.ANTI
044	M0S04661	BOILER 2,2L S.STEEL X SINGLE.HEATING ELE
045	M0001716	RONDELLE TEFLON X TAP.CALD.17,5X
046	SL001331	BOUCHON 1/4
047	M0004223	GRAPHITE SHEET X HEATING ELEMENT W/HOLE
048	M0001633	TUBE SILICONE 5X8 L=24
049	M0S06988	BLOCC.RESIS.ESTERNA 1500W 230V
050	M0000660	ECROU M5 C/FINTA RONDELLE ZINC.
051	M0003048	THERMOSTAT 200°C + THERMOFUSIBLE 298°C
052	M0000764	VIS M3X6 TCTC AUTOFORMANTE UNI 8
053	M0001652	COSSE DE MASSE DOUBLE 45 DEGRÉS M/M 6
054	M0003536	INSULATION COVER X BOILER VT 3000
055	M0S04660	CAGE INFERIEURE CUVE

PTEU234c



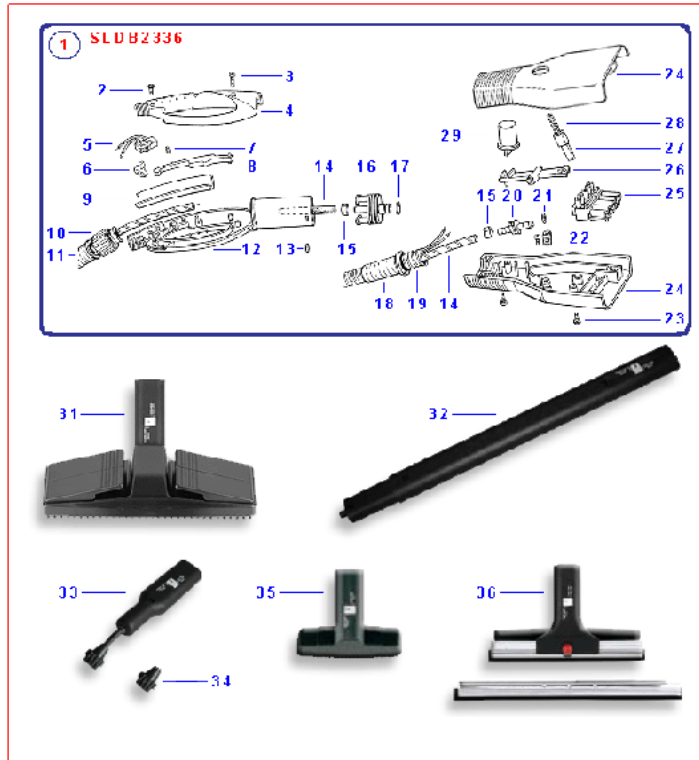
RIF.TO	CODICE	DESCRIZIONE
050	SLDB2469	ASSIEME MONOTUBO C/MONOBLOCCO VAPORETTO
051	M0S09220	GUANCIA SUP.MONOBLOCCO VT ABS NERO 9118
052	M0S01679	PULSANTE GRIGIO ABS PER MONOBLOCCO
053	M0002145	OR R5 VITON COLOR VERDE
054	M0S00144	CONNEXION VAPEUR FLEXIBLE
055	M0002159	SERRE CABLE D11,4
056	M0001240	RESSORT INOX
057	M0S00143	PERNO AGGANCIO MONOBLOCCO M/F NERO PA66/
058	M0S00145	LEVETTA AGGANCIO PIOLO NERO PA66/35FV
059	M0001215	CONNECTEUR MALE 5 POSITIONS
060	M0000755	VIS 2,9X13 TCTC AUTOFIL.ZN 4X13 UN
061	M0S00034	SERRE-CABLE
062	M0S09221	GUANCIA INF.MONOBLOCCO VT ABS NERO 9118
063	M0S09193	PASSAGUAINA X MONOBLOCCO S.S.HOME VAPORE
064	SL001459	ASSIEME MONOTUBO CABLATO C/MICROINT. X S
065	M0S09192	RACCORDO FILETTATO X GUAINA S.S.HOME VAP
066	M0005122	TUBO SPIRALATO LISCIO SX D.19,5 2,5M±0,0
067	M0S09064	TALLONE / PASSACAVO MONOTUBO S.S.HOME GR
068	M0S08401	RACC.FILETTATO X GUAINA SPIRALATA MONOT.

PTEU234d



RIF.TO	CODICE	DESCRIZIONE
001	M0002281	GEMMA ROSSA PER SPIA D6 (EL/6R.2)
002	SLS01569	SCOCCA DX SANI SYSTEM HOME TAMP.
003	M0003941	INDICATEUR EL/N-6R CONNECT. RAP. 110-240
004	M0S09206	GUSCIO ISOLANTE DX IN TEFA X SANI SYSTEM
005	M0S09063	IMPUGNATURA SOFT-TOUCH STEAM DISINFECTOR
006	M0S09066	TASTO EROGAZIONE SANI SYSTEM HOME GRIGIO
007	M0S09068	FERMO X TASTO VAPORE SANI SYSTEM HOME GR
008	M0S00034	SERRE-CABLE
009	M0000755	VIS 2,9X13 TCTC AUTOFIL.ZN 4X13 UN
010	M0S09067	DISTANZIALE / PARKING X S.S.GD
011	SLDB2434	ACCESSORIO WC X SANI SYSTEM HOME
012	SLDB2433	ACCESSORIO CONCENTRATORE X S.S HOME
013	M0S09065	PUNTALE X SANI SYSTEM HOME NERO
014	M0S03393	GARNITURE SILICONE BLANCHE
015	M0S09197	BOCCOLA TEFLON X SANI SYSTEM HOME
016	M0003048	THERMOSTAT 200°C + THERMOFUSIBLE 298°C
017	M0000764	VIS M3X6 TCTC AUTOFORMANTE UNI 8
018	SL001458	ASSIEME SCAMBIATORE SANI SYSTEM HOME
019	M0002379	RONDELLA VENTAGLIO D.3 INTERNO
020	M0S09059	GUARNIZIONE SCAMBIATORE/BOCCETTA S.S.HOM
021	M0005089	TAPPO X FLACONE MONODOSE (CAPSULA ART.40
022	M0S09058	STOPPINO X BOCCETTA S.S.H. (MEIBAN 5,5)
023	PAEU0243	CONF. 2 FLACONS HPMED50ML X STEAM DIS.(I
024	M0001633	TUBE SILICONE 5X8 L=24
025	M0006506	METAL BAND CLIC 55-95 BLACK
026	M0003497	TUBO SILIC. DIAM. 8,5 X 4,5 L=35
027	M0003739	FASCETTA STRINGITUBO 9,8
028	M0S04595	PORTAGOMMA X TUBO SILICONE
029	M0S09207	GUSCIO ISOLANTE SX IN TEFA X SANI SYSTEM
030	SL001461	PARTIE GAUCHE PAINT. STEAM DISINFECTOR
031	M0003992	VITE 2,9X13 TC INOX
032	C3BH0967	CAVETTO - L=XXX S=1 THT C3BH R=00
033	C3MH0966	CAVETTO - L=XXX S=1 THT C3BH R=00
034	SLDB2618	STEAM DISINFECTOR ACCESSORIO VT

PTEU234e



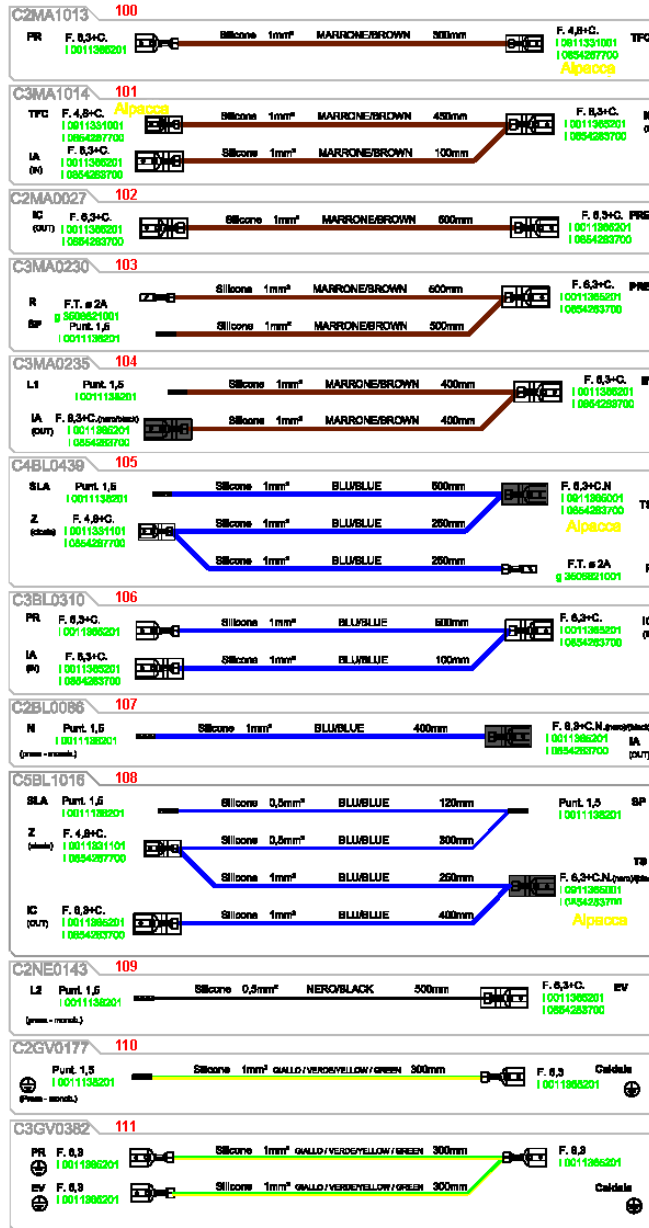
37



RIF.TO	CODICE	DESCRIZIONE
001	SLDB3255	2085 SERIES HOSE 230V BLACK PRC
002	M0001101	VIS 2,9X13 TORCS ELETTRIZING.NOIRE
003	M0000757	VITE 2,9X25 TCTC AUTOF. ZN 4X25 ART.814X
004	M0S03931	SEMIG.DX IMP.MERLIN3 S/REGOLAZIONE
005	SL001404	MICRO COSTAMPATO C/PIATTINA 2X0,50 L=264
006	SLDB2869	SECURITY BUTTON+STEAM LEVER FOR VT HOSE
007	M0002483	MOLLA X IMPUGNATURA GUAINA MERLIN 3
008	SLDB2869	SECURITY BUTTON+STEAM LEVER FOR VT HOSE
009	M0S02909	ISOLANTE IN POLIURETANO X IMP.GUAINA MER
010	M0S01867	GHIERA IMPUGNATURA GUAINA NEROPA66/25FV
011	M0S01690	PASSACAVO GUAINA IMPUGNATURA NERO SANTO
012	SLDB3146	HANDLE KIT FOR VAPORETTO HOSE
013	M0S00184	FERMO TUBO PROLUNGA BASSO NEROPA66/30FV
014	M0002420	TUBE D.4X8,5 EPDM 80SH L=2690
015	M0002159	SERRE CABLE D11,4
016	M0S00191	RACCORDO M/M P.GOMMA NERO PA66/30FV
017	M0S00802	GUARNIZIONE OR 8X2,2 NBR
018	M0S01701	PASSACAVO GUAINA MONOBLOCCO NERO SANTO
019	M0005190	GUAINA FLEX SP/V2 L=2400MM
020	M0S00144	CONNEXION VAPEUR FLEXIBLE
021	M0002145	OR R5 VITON COLOR VERDE
022	M0S00034	SERRE-CABLE
023	M0000755	VIS 2,9X13 TCTC AUTOFIL.ZN 4X13 UN
024	TP001073	KIT UPPER/LOWER BODY HOSE CONNECTION
025	M0001215	CONNECTEUR MALE 5 POSITIONS
026	M0S00145	LEVETTA AGGANCIO PIOLO NERO PA66/35FV
027	M0S00143	PERNO AGGANCIO MONOBLOCCO M/F NERO PA66/
028	M0001240	RESSORT INOX
029	M0S01679	PULSANTE GRIGIO ABS PER MONOBLOCCO
031	SLDB2566	SPAZZOLONE NERO SERIE 2085 C/INNESTO PAR
032	SLDB2568	TUBO PROLUNGA NERO SERIE 2085
033	PAEU0283	CONCENTRATEUR VAPEUR + PETITE BROUSSE EN
034	PAEU0250	KIT 3 BROUSSES RONDES POUR VAPORETTO
035	SLDB2565	SPAZZOLA PICCOLA NERA SERIE 2085
036	PAEU0221	KIT LAVE VITRES
037	PAEU0269	STEAM KIT FOR CIMEX ERADICATOR
038	ND	NON DISPONIBILE - NOT AVAILABLE

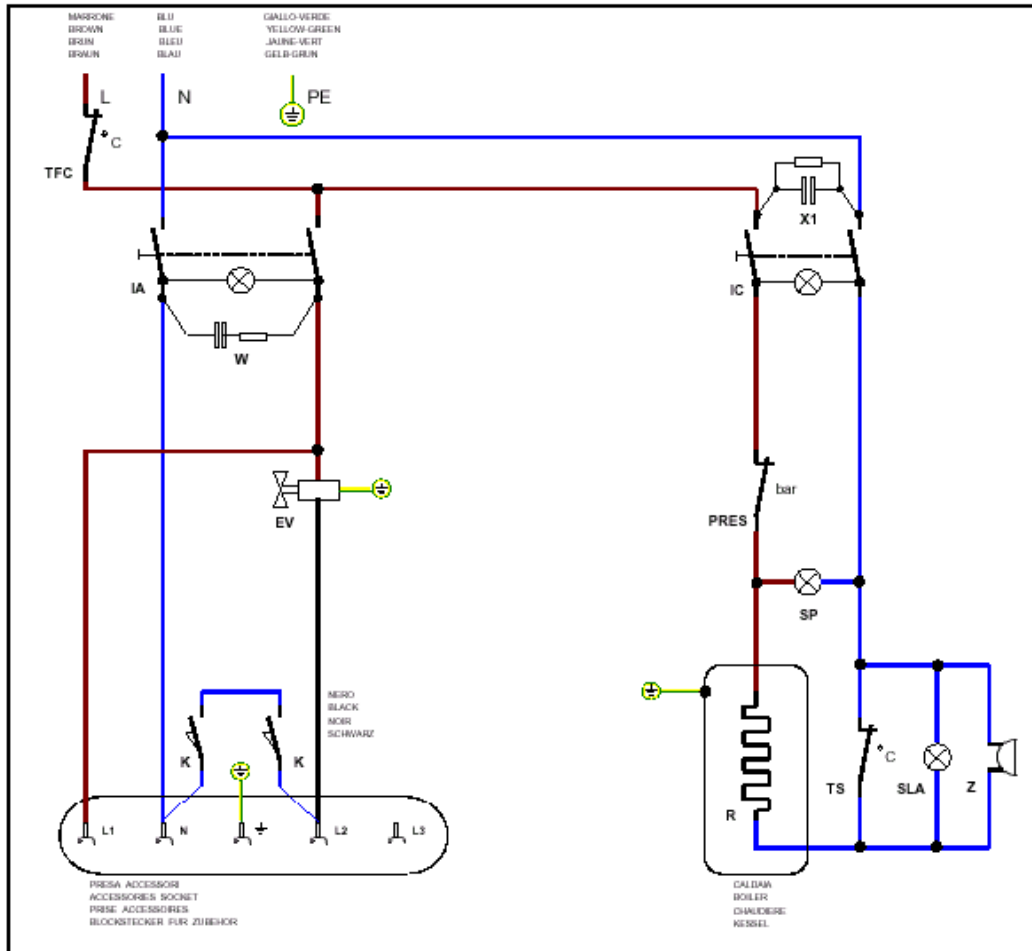
RIF.TO	CODICE	DESCRIZIONE
039	ND	NON DISPONIBILE - NOT AVAILABLE
040	SLDB2434	ACCESSORIO WC X SANI SYSTEM HOME
041	SLDB2433	ACCESSORIO CONCENTRATORE X S.S HOME
042	ND	NON DISPONIBILE - NOT AVAILABLE
043	M0004673	SCOVOLINO OTTONE Ø15
044	ND	NON DISPONIBILE - NOT AVAILABLE
045	M0006379	JUG FOR LECOASPIRA
046	PAEU0324	KIT 2 SERPILLÈRES + 3 BONNETTES VAPORETO
047	PAEU0318	KIT 2 BONNETTES LECOASPIRA AND VAPORETO
048	SLDB0889	KIT OF 2 OR R5 GREEN BAGGED
049	ND	NON DISPONIBILE - NOT AVAILABLE

PTEU234h

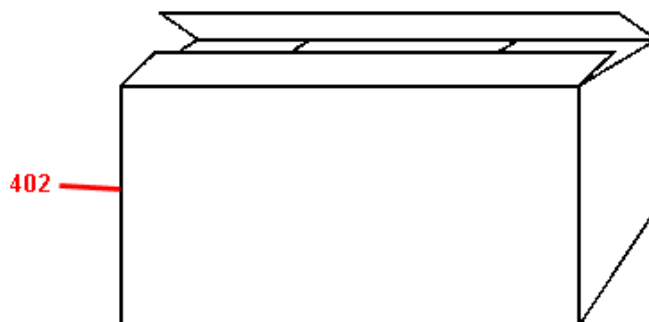


RIF.TO	CODICE	DESCRIZIONE
100	C2MA1013	L=300 S=1,00 SIL C2MA R=01
101	C3MA1014	L=XXX S=1,00 SIL C3MA R=00
102	C2MA0027	L=500 S=1,00 SIL C2MA R=000
103	C3MA0230	CAVETTO - L=500 S=1,00 SIL C3MA R=00
104	C3MA0235	L=400 S=X,XX SIL C3MA R=01
105	C3BL0285	L=XXX S=1,00 SIL C3BL R=00
106	C3BL0310	CAVETTO - L=XXX S=1,00 SIL C3BL R=02
107	C2BL0086	CAVETTO - L=400 S=1,00 SIL C2BL R=00
108	C2BL0120	L=400 S=1,00 SIL C2BL R=00
109	C2NE0143	CAVETTO - L=500 S=0,50 SIL C2NE R=00
110	C2GV0177	CAVETTO - L=300 S=1,00 SIL C2GV R=00
111	C3GV0382	CAVETTO - L=300 S=1,00 SIL C3GV R=00

WDVT0174



PTEU234i



RIF.TO	CODICE	DESCRIZIONE
400	M0S11380	LIVRE DU PROTOCOLE 2016 CIMEX ERADICATOR
401	M0S11859	INSTRUCTION CIMEX ERADICATOR W1DS 2S12
402	IMBS1389	IMBALLO X CIMEX ERADICATOR 09/16

N-PTEU0234


CIMEX
ERADICATOR

